

**SHEET FEEDER TYPE830**  
**(A453)**

## PARTS CATALOG

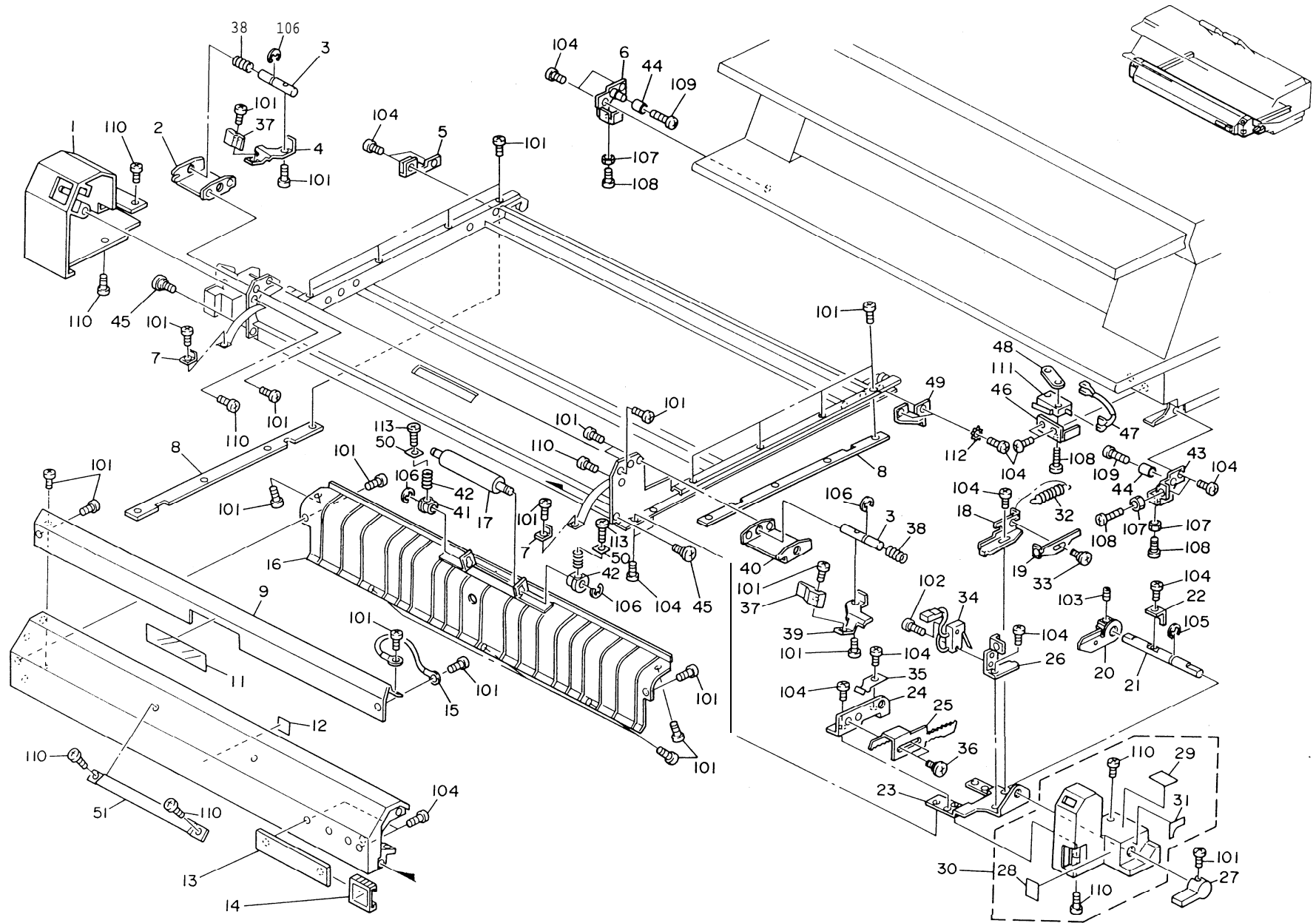
### INTRODUCTION

This chapter instructs you the numbers and names of this parts on this machine.

### INDEX to PARTS CATALOG

1. Exterior (A453) .....	2
2. PaperTray(A453) .....	4
3. Paper Feed Section (A453) .....	6
4. Registration Roller (A453) .....	8
5. Drive Section (A453) .....	10
6. Frame Section (A453) .....	12
7. Paper Feed Harness (A453) .....	14
8. Decal and Document (A453) .....	16
<b>Parts Index</b> .....	<b>19</b>

# 1. EXTERIOR (A453)



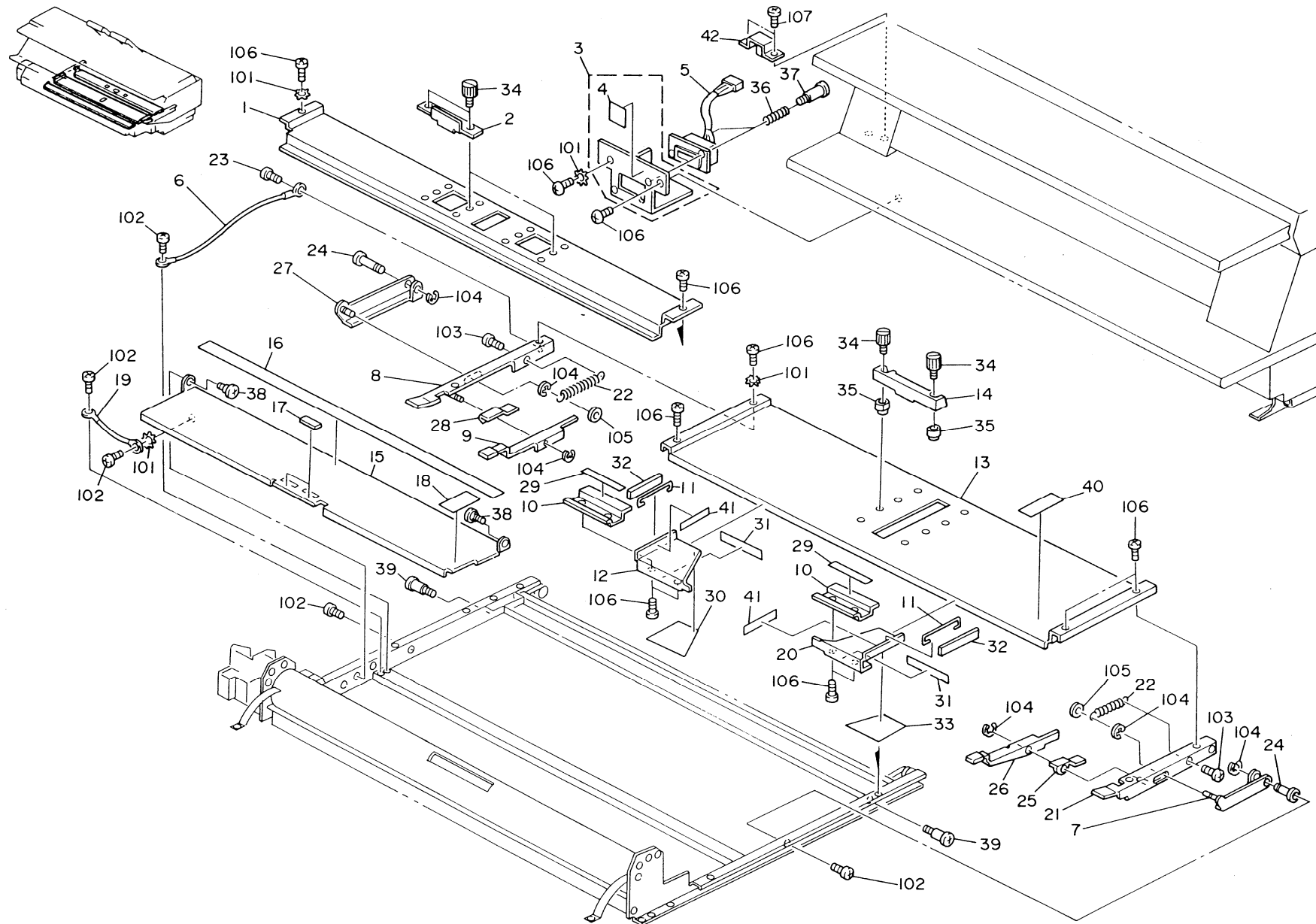
# 1. EXTERIOR (A453)

Index No.	Part No.	Description	Q'ty Per Assembly
1	A453 1250	Left Cover	1
2	A453 2602	Left Lock Bracket	1
3	AA14 5084	Lock Shaft -Front Cover	2
4	A453 2603	Left Release Lever	1
5	A453 2961	LeftStopper-Paper Feed Roller	1
6	A453 2981	Left Lock Guide	1
7	A453 2662	Spacer	1
8	A453 2570	Side Plate Bracket	1
9	A453 3863	Outer Lower Guide Plate	1
10	A453 3857	Front Cover	1
11	A453 3864	Guide Plate Mylar	1
13	A453 2871	Paper Size Indicator	1
14	A453 2875	Cursor- PaperSize Indicator	1
15	A023 5383	Grounding Wire	1
16	A453 3859	Outer Guide Plate	1
17	AF02 0108	PaperFeed Roller -Middle	1
18	A453 2794	Switch Actuator Bracket	1
19	A453 2793	Actuator - Safety Switch	1
20	A453 2796	Gear-19Z	1
21	AA14 5085	Separation Lever Shaft	1
22	A453 2799	Pick-off Actuator	1
23	A453 2791	Lever Bracket	1
24	A453 2807	Rack Bracket	1
25	A453 2806	Pick-off Rack	1
26	A453 2792	Switch Bracket	1
27	AG05 0028	Separation Knob	1
28	A453 1352	Decal - Separation Knob	1
29	A453 1355	Decal - Paper Feed Selection	1
30	A453 1243	Right Cover	1
31	A453 1310	Decal	1
32	52033127	Toner End Spring	1
33	AA14 3076	Stepped Screw -M4	1
34	A453 5340	Micro Switch	1
35	A453 2810	Spring Plate	1
36	54131882	Stepped Screw	2



Index No.	Part No.	Description	Q'ty Per Assembly
37	A453 2605	Lock Release Knob	2
38	AA06 3086	Spring - Release Lever	2
39	A453 2613	Right Release Lever	1
40	A453 2612	Right Lock Bracket	1
41	52052697	Bushing - Upper Registration Roller	2
42	AA06 3088	Spring - Paper Feed Roller	2
43	A453 2991	Right Lock Guide	1
44	AA13 0031	Lock Roller	2
45	AA14 3129	Shoulder Screw - Front Cover	2
46	A453 3011	Safety Switch Bracket	1
47	A453 5330	Safety Switch Relay Harness	1
48	50560509	Nut Plate - Microswitch	1
49	A453 2962	Right Stopper - Paper Feed Roller	1
50	A453 3871	Outer Guide Plate	1
51	A453 3856	Cover - Adjusting Screw	1
101	0313 0060B	Philips Pan Head Screw - M3x6	
102	0252 0080B	Screw - M2x8	
103	0574 0040E	Hexagon Headless Set Screw - M4x4	
104	0314 0060B	Philips Pan Head Screw - M4x6	
105	0720 0060Z	Retaining Ring - M6	
106	0720 0040Z	Retaining Ring - M4	
107	0710 0040B	Hexagon Nut - M4	
108	0314 0140B	Philips Pan Head Screw - M4x1 4	
109	0313 0040B	Philips Pan Head Screw - M3x4	
110	0344 0060F	Philips Truss Head Screw - M4x6	
111	12040795	Microswitch	
112	0705 0040C	Toothed Washer - M4	
113	0960 3008B	Philips Flange Screw - M3 x 8	

## 2. PAPER TRAY (A453)

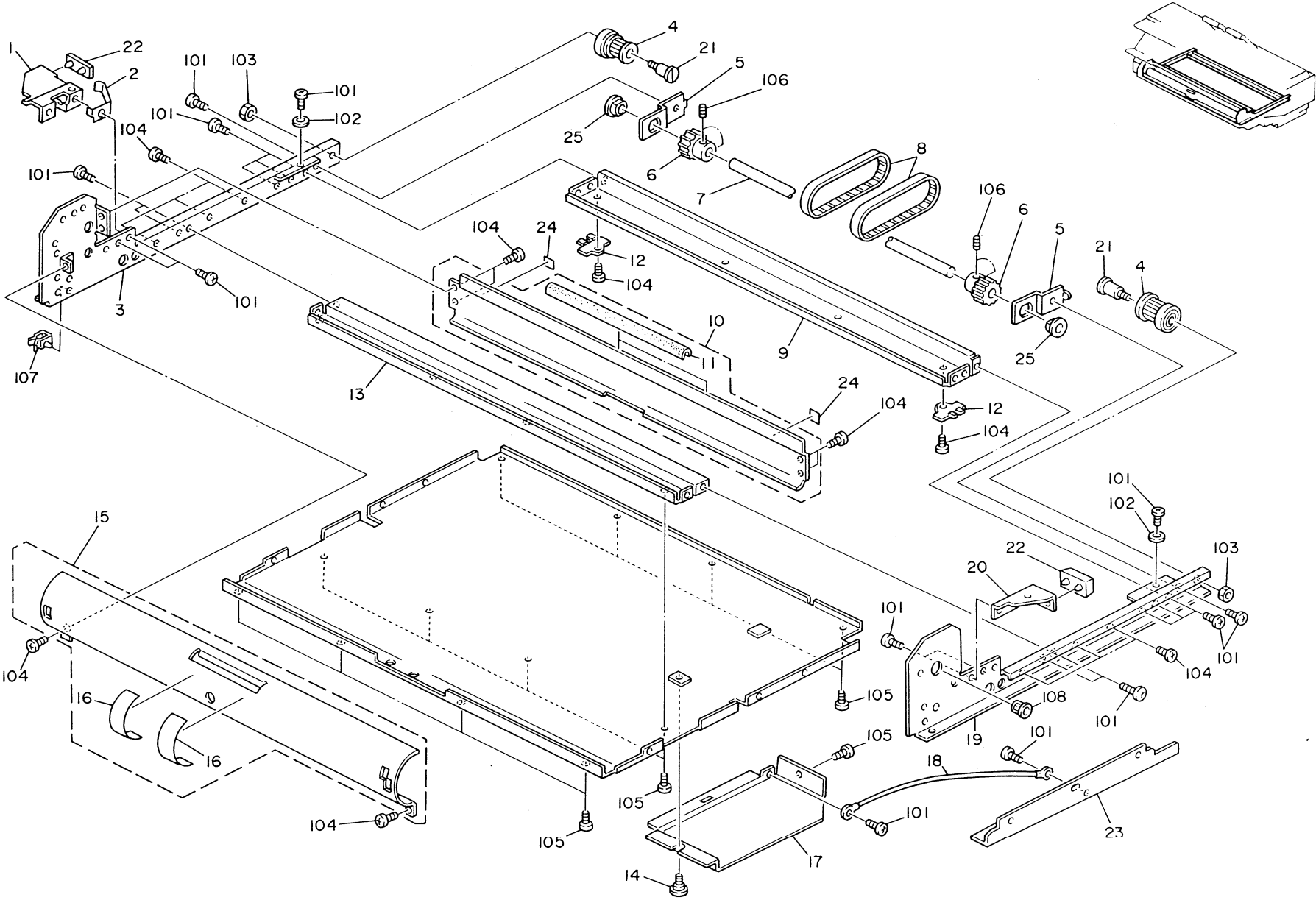


## 2. PAPER TRAY (A453)

Index No.	Part No.	Description	Q'ty Per Assembly
1	A453 2950	Paper Feed Tray	1
2	AF01 7003	End Fence	2
3	A453 2997	Connector - Paper Feed Unit	1
4	A453 3007	Mylar Seal - 20x20	1
5	A453 5320	Cassette Relay Harness	1
6	A453 5370	Grounding Wire - Paper Feed Tray	1
7	A453 2941	Right Arm	1
8	A453 2974	Left Frame - Paper Feed Tray	1
9	A453 2984	Left Release Lever	1
10	A453 2911	Side Fence Bracket	2
11	A453 2904	Guide Rod	2
12	A453 2901	Left Side Fence	1
13	A453 3121	Paper Feed Tray	1
14	A453 2970	End Fence	1
15	A453 2881	Bottom Plate	1
16	A453 1341	Paper Size Decal	1
17	52152713	Bottom Plate Pad	2
18	A453 1400	Decal - Loading Paper	1
19	A023 5393	Grounding Wire	1
20	A453 2906	Right Side Fence	1
21	A453 2976	Right Frame - Paper Feed Tray	1
22	AA06 0168	Spring - Paper Feed Tray	2
23	54131882	Stepped Screw	1
24	AA14 8146	Arm Shaft	2
25	A453 2936	Right Spring Plate	1
26	A453 2987	Right Release Lever	1
27	A453 2926	Left Arm	1
28	A453 2921	Left Spring Plate	1
29	A453 2912	Felt Seal - 15x74	2
30	A453 2902	Felt Seal - 75x106	1
31	A453 2903	Felt Seal - 7x75	2
32	A453 2908	Guide Rod Bracket	2
33	A453 2907	Felt Seal - 75x106	1
34	A453 2955	Knob Screw - End Fence	6
35	A453 2972	Pin - End Fence	2

Index No.	Part No.	Description	Q'ty Per Assembly
36	AA06 3089	Spring - Paper Feed	2
37	54465832	Connector Guide Pin	2
38	52011796	Stepped Screw - M4	2
39	AA14 3132	Shoulder Screw - Paper Feed	2
40	A453 1398	Decal - Removing Misfed Paper	1
41	A453 1360	Decal - Side Fence	2
42	A453 3005	Bracket - Cassette Relay Harness	1
101	0705 0040C	Toothed Washer - M4	
102	0314 0060B	Philips Pan Head Screw - M4x6	
103	0314 0140B	Philips Pan Head Screw - M4xl 4	
104	072000402	Retaining Ring - M4	
105	08074083	<b>Washer</b> 5mm	
106	031 30060B	Philips Pan Head Screw - M3x6	
107	0344 0060F	Philips Truss Head Screw - M4x6	

### 3. PAPER FEED SECTION (A453)



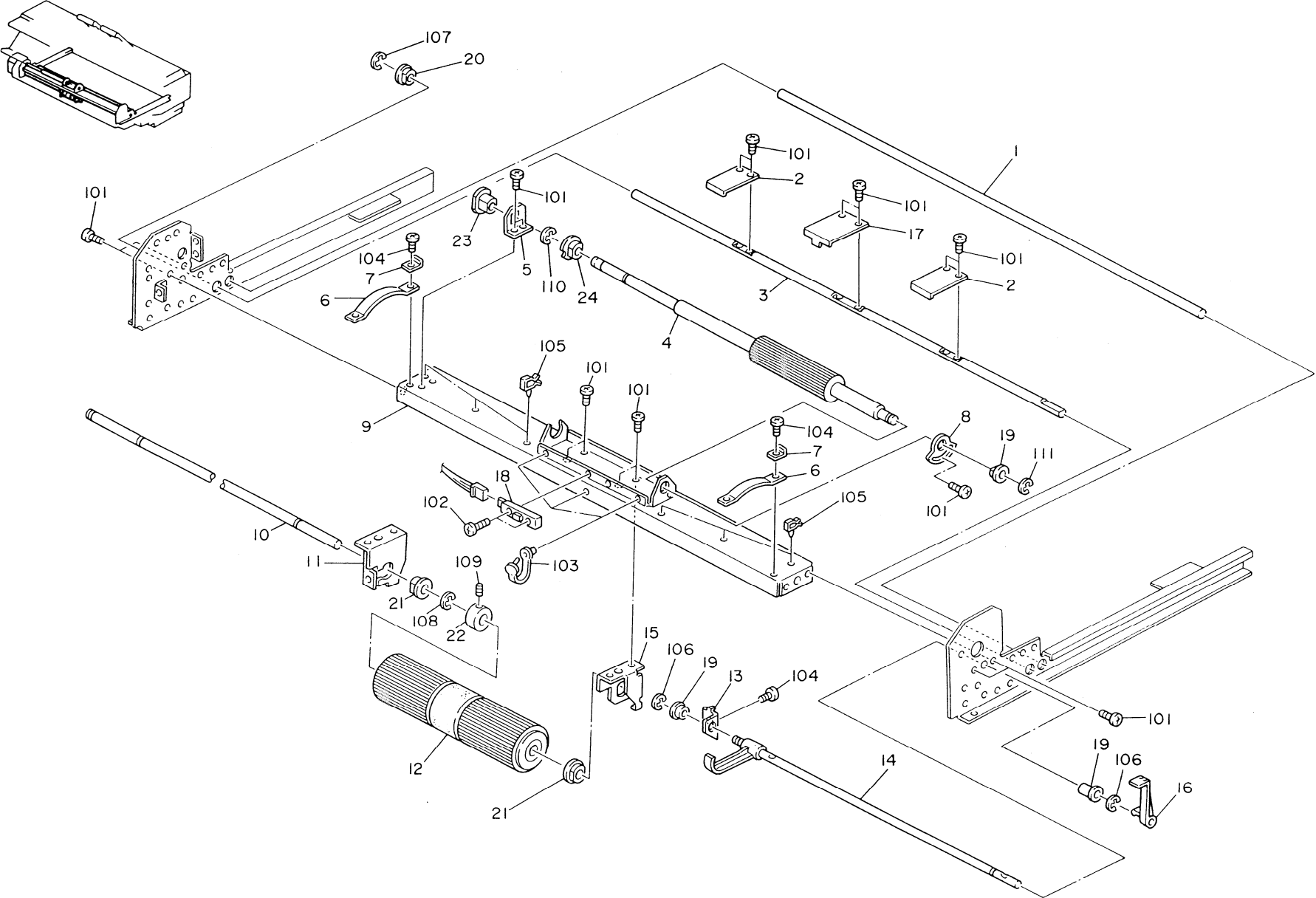
### 3. PAPER FEED SECTION (A453)

Index No.	Part No.	Description	Q'ty Per Assembly
1	A453 2573	Left Bracket - Rubber Pad	1
2	A453 2575	Spring Plate - Paper Feed	1
3	A453 2555	Left Side Plate	1
4	A453 2590	Gear/pulley - 36/45Z	2
5	A453 2840	Guide Roller Bracket	2
6	AB03 0092	Pulley - 22Z	2
7	AA14 0220	Guide Roller Shaft	1
8	AA04 3036	Timing Belt - 201XL	2
9	A453 2770	Side Stay - Friction Pad	1
10	A453 1230	Inner Cover	1
11	AA15 1432	Seal - 10x215	2
12	A453 2772	Guide Plate	2
13	A453 2765	Middle Stay - Friction Pad	1
14	52011796	Stepped Screw - M4	1
15	A453 2845	Inner Guide Plate	1
16	A453 2847	Teflon Tape - 40 X 100	2
17	A453 3020	Grounding Wire Cover - Paper Feed	1
18	A453 5350	Grounding Wire - Bottom Cover	1
19	A453 2565	Right Side Plate	1
20	A453 2621	Right Bracket - Rubber Pad	1
21	AA14 3130	Shoulder Screw - Roller Guide	2
22	AA16 1038	Rubber Pad - Paper Feed	2
23	A453 3025	Grounding Wire Cover	1
24	A453 3007	Mylar Seal - 20x20	2
25	53041639	Bushing - 8mm	9

Index No.	Part No.	Description	Q'ty Per Assembly
101	0314 0060B	Philips Pan Head Screw - M4x6	
102	0708 0050B	Washer - M5	
103	0710 0060B	Hexagon Nut - M6	
104	0313 0060B	Philips Pan Head Screw - M3x6	
105	0951 3006B	Philips Screw With Flat Washer-M3x6	
106	0574 0040E	Hexagon Headless Set Screw - M4x4	
107	11050087	Clamp	
108	11060411	Bushing - 11.5mm	



# 4. REGISTRATION ROLLER (A453)

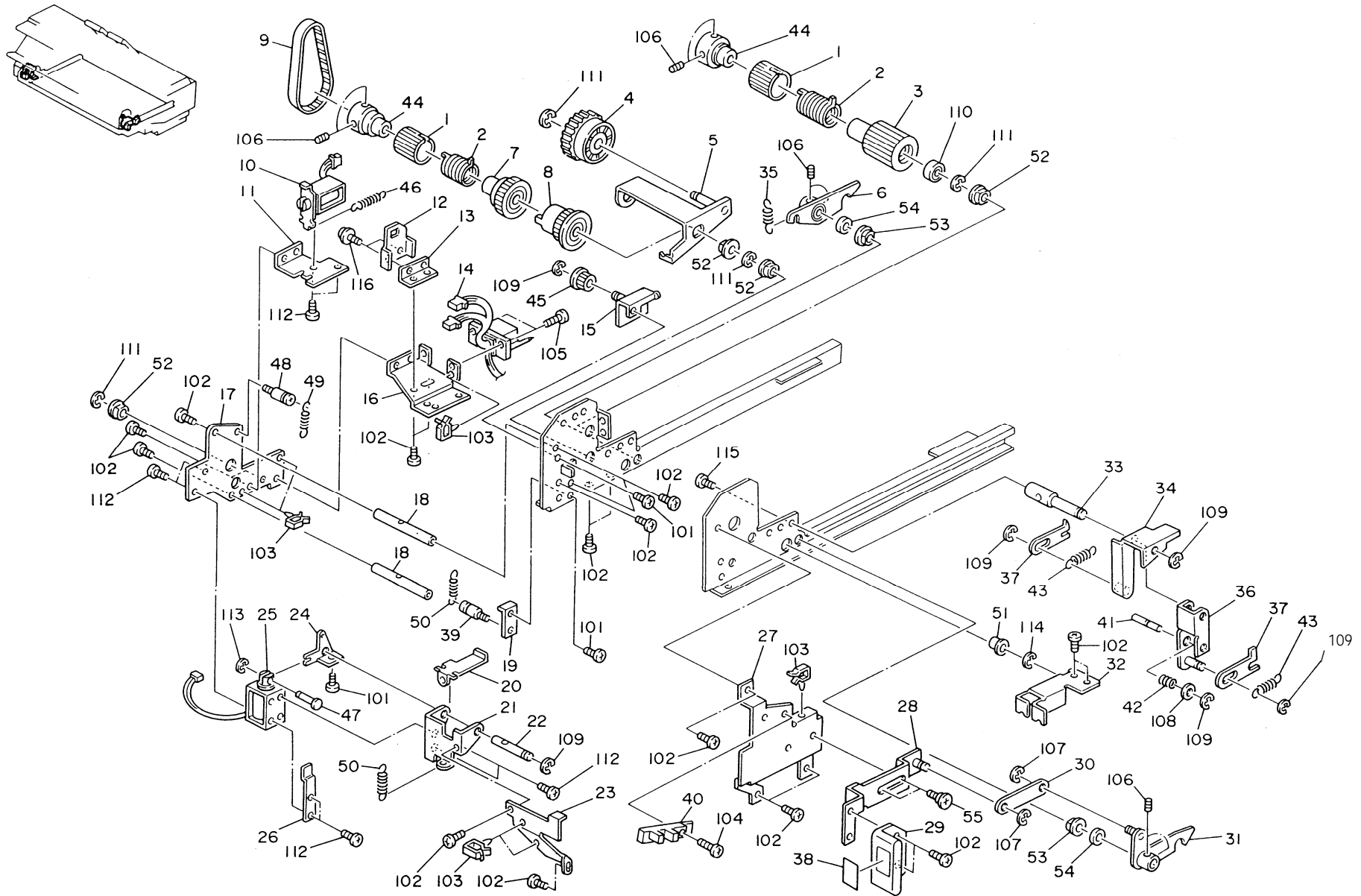


#### 4. REGISTRATION ROLLER (A453)

Index No.	Part No.	Description	Q'ty Per Assembly
1	AA14 0219	Lock Lever Shaft	1
2	A453 2777	Side Arm - Bottom Tray	2
3	AA14 0222	Shaft - Bottom Tray	1
4	AF02 0110	Transport Roller	1
5	A453 2647	Clutch Bracket	1
6	A453 3660	Front Cover Stopper	2
7	A453 2662	Spacer	1
8	A453 2645	Adjusting Bushing	1
9	A453 2638	Paper Feed Roller Stay	1
10	AA14 0223	Shaft - Paper Feed Roller	1
11	A453 2650	Left Bracket - Paper Feed Roller	1
12	AF03 1007	Paper Feed Roller	1
13	A453 2658	Bracket - Paper End Sensor	1
14	A453 2830	Lever - Paper End Sensor	1
15	A453 2656	Right Bracket - Paper Feed Roller	1
16	A453 2835	Shield Plate - Paper End	1
17	A453 2776	Middle Arm - Bottom Tray	1
18	59185722	Photosensor	1
19	54432668	Bushing - 4x6x7mm	2
20	50530419	Bushing - 10mm	1
21	53041639	Bushing - 8mm	2
22	AA13 2103	Collar - Feed Roller	1
23	52052865	Bushing - Paper Feed Roller	1
24	54143327	Bushing - 12x1 8x8	1

Index No.	Part No.	Description	Q'ty Per Assembly
101	0314 0060B	Philips Pan Head Screw - M4x6	
102	0313 0100B	Philips Pan Head Screw - M3x10	
103	1105 0032	Clamp	
104	0313 0060B	Philips Pan Head Screw - M3x6	
105	11050087	Clamp	
106	0720 0030Z	Retaining Ring - M3	
107	0720 0080Z	Retaining Ring - M8	
108	0720 0060Z	Retaining Ring - M6	
109	0574 0040E	Hexagon Headless Set Screw - M4x4	
110	0720 0100Z	Retaining Ring - M10	
111	0720 0070Z	Retaining Ring - M7	

# 5. DRIVE SECTION (A453)



## 5. DRIVE SECTION (A453)

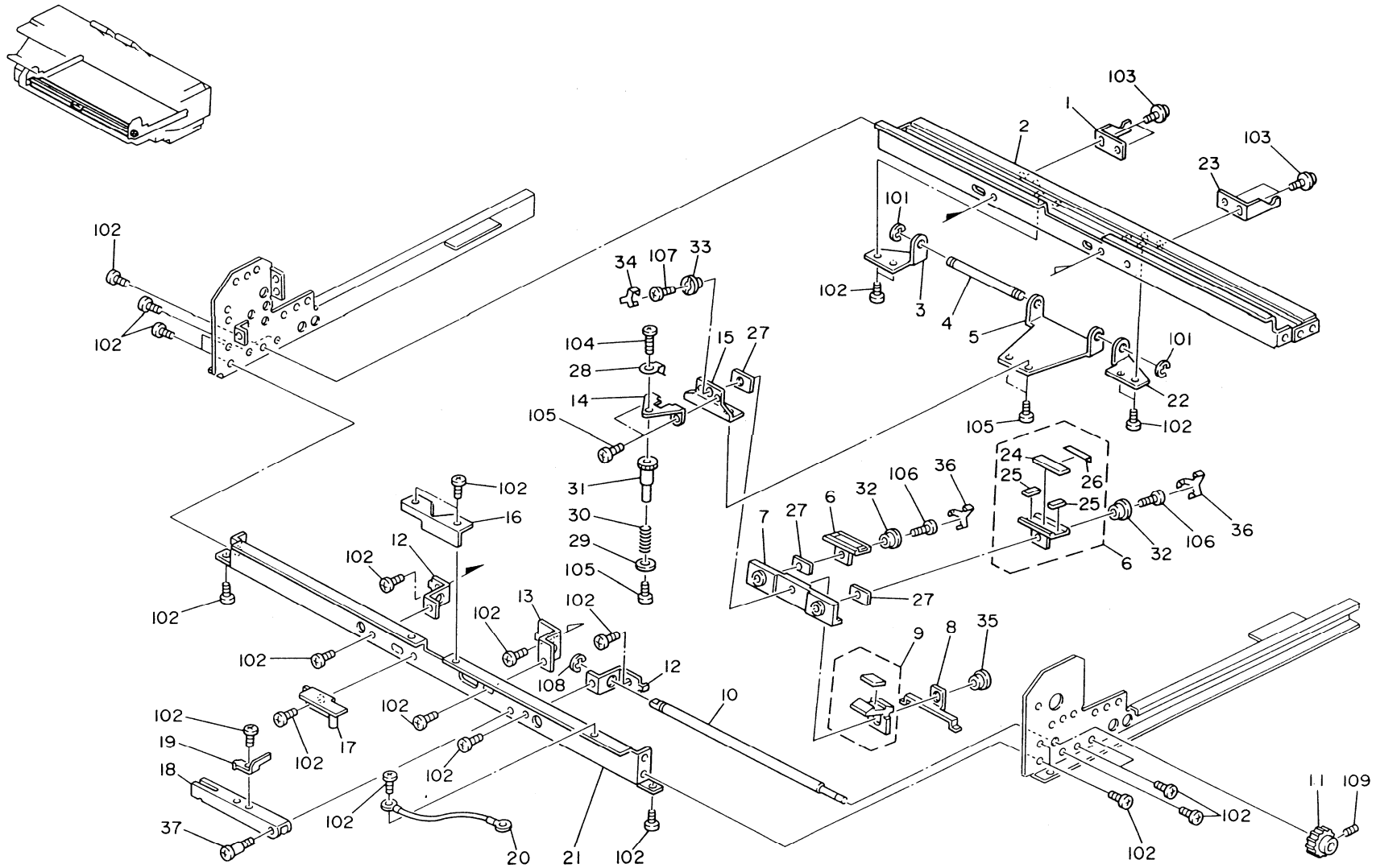
Index No.	Part No.	Description	Q'ty Per Assembly
1	AB04 3002	Spring Clutch Sleeve	2
2	AB04 4002	Spring Clutch	2
3	A453 2686	Pulley - 43Z	1
4	ABO1 3354	Gear - 34Z	1
5	A453 2676	Idler Shaft Arm	1
6	A453 2826	Left Lock Lever	1
7	A453 2671	Gear - 33Z	1
8	A453 2688	Pulley - 49Z	1
9	AA04 3035	Timing Belt - 190XL	1
10	A453 2696	Solenoid - Paper Feed	1
11	A453 2687	Solenoid Bracket	1
12	A453 2678	Support Plate	1
13	A453 2679	Bracket - Support Plate	1
14	A453 5310	Paper Feed Unit Harness	1
15	A453 2581	Pulley Bracket	1
16	A453 2576	Connector Bracket	1
17	A453 2691	Side Plate Bracket - Left	1
18	AA145082	Stud - Side Plate Bracket	2
19	A453 2571	Arm Stopper	1
20	AB04 5004	Spring Clutch Pawl	1
21	A453 2706	Solenoid Bracket	1
22	AA145083	Shaft - Pick-off Pawl	1
23	A453 2577	Harness Bracket	1
24	A453 2707	Spring Clutch Lever	1
25	54285090	DC Solenoid - DC 24V	1
26	A453 2702	Solenoid Stopper	1
27	A453 2625	Bracket - Release Lock Lever	1
28	A453 2631	Release Lock Lever	1
29	AG05 1036	Lock Release Grip - Paper Feed	1
30	A453 2825	Release Lock Joint	1
31	A453 2828	Right Lock Lever	1
32	A453 2778	Pressure Arm - Bottom Plate	1
33	AA14 8145	Pressure Lever Shaft	1
34	A453 2781	Pressure Lever - Bottom Plate	1
35	AA06 0169	Spring - Lock Lever	1

Index No.	Part No.	Description	Q'ty Per Assembly
36	A453 2786	Pressure Lever	1
37	A453 2784	Support Plate	2
38	A453 1330	Decal - Lock Release	1
39	AA14 3045	Stud	1
40	5205 5251	LED Sensor Type - T	1
41	AA14 5086	Pin - Pressure Lever	1
42	AA06 3090	Spring - Pressure Lever Pin	1
43	AA06 0171	Spring - Bottom Plate	2
44	AB04 2002	Clutch Sleeve - Paper Feed	2
45	AB03 0091	Pulley - 22Z	1
46	A409 1153	Spring - Invertor Guide Plate	1
47	58942229	Solenoid Pin	1
48	54152875	Spring Anchor	1
49	AA06 0180	Spring - SP Clutch Pawl	1
50	52082672	Spring - Solenoid Release	2
51	50530419	Bushing - 10mm	1
52	53041639	Bushing - 8mm	4
53	50530223	Bushing - 8mm	2
54	AA13 2060	Collar - Lock Lever	2
55	5413 1882	Stepped Screw	2

Index No.	Part No.	Description	Q'ty Per Assembly
101	0313 0060B	Philips Pan Head Screw - M3x6	
102	0314 0060B	Philips Pan Head Screw - M4x6	
103	11050087	Clamp	
104	0314 0100B	Philips Pan Head Screw - M4x1 0	
105	0313 0100B	Philips Pan Head Screw - M3x1 O	
106	0574 0040E	Hexagon Headless Set Screw - M4x4	
107	0720 0030Z	Retaining Ring - M3	
108	0708 0050B	Washer - M5	
109	0720 0040Z	Retaining Ring - M4	
110	08053270	Ball Bearing - 8x1 6x5mm	
111	0720 0060Z	Retaining Ring - M6	
112	0313 0040B	Philips Pan Head Screw - M3x4	
113	0720 0025Z	Retaining Ring - M2.5	
114	0720 0080Z	Retaining Ring - M8	
115	0315 0080B	Philips Pan Head Screw - M5x8	
116	0951 4006B	Philips Screw With Washer - M4x6	

Index No.	Part No.	Description	Q'ty Per Assembly

# 6. FRAME SECTION (A453)

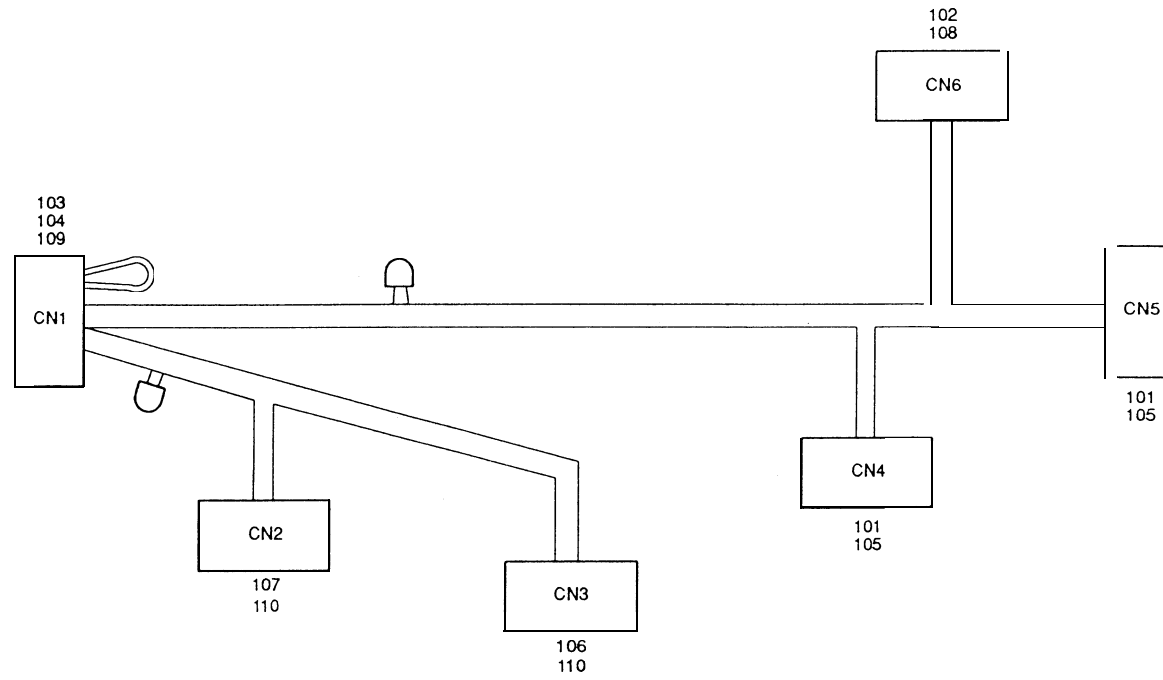


## 6. FRAME SECTION (A453)

Index No.	Part No.	Description	Q'ty Per Assembly
1	A453 2731	Left Support Plate	1
2	A453 2735	Lower Stay	1
3	A453 2729	Left Bracket	1
4	AA14 0218	Shaft - Friction Pad	1
5	A453 2761	Support Plate - Friction Pad	1
6	A453 2742	Friction Pad Ass'y	2
7	A453 2771	Pad Arm	1
8	A453 2767	Spring Plate - Middle Pad	1
9	A453 2773	Friction Pad Ass'y - Middle	1
10	AA14 0221	Separation Roller Shaft	1
12	A453 2728	Support Plate - Lower Stay	2
13	A453 2727	Bracket - Transport Shaft	1
14	A453 2756	Sleeve Bracket - Friction Pad	1
15	A453 2760	Friction Pad Holder	1
16	A453 2713	Adjusting Plate	1
17	A453 2720	Support Plate - Pressure Arm	1
18	A453 2716	Pressure Arm	1
19	A453 2717	Pressure Lever	1
21	A453 2711	Front Stay	1
22	A453 2730	Right Bracket	1
23	A453 2732	Right Support Plate	1
24	AF03 3001	Friction Pad - Separation	2
25	AF03 3002	Friction Pad - Small	4
26	AA15 0177	Mylar Seal - Friction Pad	2
27	AA16 1054	Friction Pad Cushion	3
28	A453 2757	Spring Plate - Pressure Sleeve	1
29	AA13 2061	Collar	1
30	AA06 3138	Pressure Spring	1
31	A453 2752	Sleeve - Friction Pad	1
32	AA13 2109	Spacer - Friction Pad	2
33	AA13 2112	Spacer - Pad Arm	1
34	A453 2768	Spring Plate - Pad Arm	1
35	AA13 2108	Nut - Middle Pad	1
36	A453 2769	Spring Plate - Friction Pad	2
37	AA14 3139	Shoulder Screw - Pressure Arm	1

Index No.	Part No.	Description	Q'ty Per Assembly
101	072000402	Retaining Ring - M4	
102	0314 0060B	Philips Pan Head Screw - M4x6	
103	0951 4006B	Philips Screw With Washer - M4x6	
104	0314 0080B	Philips Pan Head Screw - M4x8	
105	0313 o060B	Philips Pan Head Screw - M3x6	
106	0313 0100B	Philips Pan Head Screw - M3x1 O	
107	031401406	Philips Pan Head Screw - M4x14	
108	0720 0060Z	Retaining Ring - M6	
109	0574 0040E	Hexagon Headless Set Screw - M4x4	

# 7. PAPER FEED HARNESS (A453)



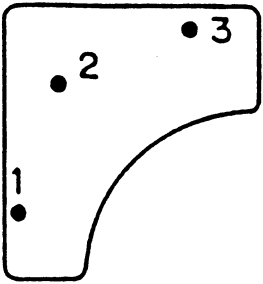
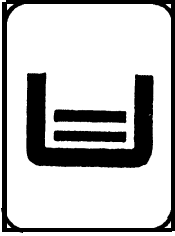



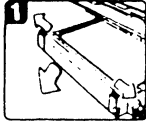
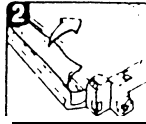
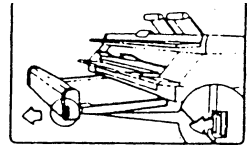


**7. PAPER FEED HARNESS (A453)**

Index No.	Part No.	Description	Q'ty Per Assembly
*	A453 5310	Paper Feed Unit Harness	1

Index No.	Part No.	Description	Q'ty Per Assembly
101	1100 1259	Socket - Mate-n-lock	
102	1100 1327	Contact	
103	1100 1342	Terminal	
104	1100 1346	Pin Contact	
105	1102 1089	Connector - 3P	
106	1102 1306	Connector-3P	
107	1102 1396	Connector-2P	
108	1102 1910	Connector-2P	
109	1102 4403	Connecter-12P	

# 8. DECAL AND DOCUMENT (A453)

<p>1</p> 	<p>2</p> 	<p>4</p> <p>Paper feed pressure selection lever has to be operated when paper tray is slid out</p>	<p><b>Paper Feed Pressure Select</b></p> <p><input type="checkbox"/> Selection Position</p> <p>Bond Paper : 1</p> <p>Tracing Paper (A3/B, A4/A) : 2</p> <p>Tracing Paper (A1/D, A2/C) : 3</p> 	<p>6</p> 
<p>3</p> 		<p>7</p> <p><b>Removing Misted Paper</b></p> <p>1</p>  <p>Release the levers on both ends and open the cover</p> <p>2</p>  <p>Remove the misted paper and close the cover</p>	<p>8</p> <p><b>Loading Paper</b></p> <p><b>Removing Misted Paper</b></p>  <p>Slide out the tray by pulling the release lever. Follow the instruction inside of the tray</p>	

### 8. DECAL AND DOCUMENT (A453)

Index No.	Part No.	Description	Q'ty Per Assembly
1	A453 1310	Decal	1
2	A453 1330	Decal - Lock Release	1
3	A453 1341	Paper Size Decal	1
4	A453 1352	Decal - Separation Knob	1
5	A453 1355	Decal - Paper Feed Selection	1
6	A453 1360	Decal - Side Fence	2
7	A453 1398	Decal - Removing Misfed Paper	1
8	A453 1400	Decal - Loading Paper	1

Index No.	Part No.	Description	Q'ty Per Assembly